



Beach Topper

1952-1963 M38-A1 and 1955-1975 CJ-5

Part Number: BT10001



Kit Components:

- Beach Topper
- Footman Loop with Screws (2)
- Snap with Screw (2)

-Read all instructions carefully prior to starting installation.

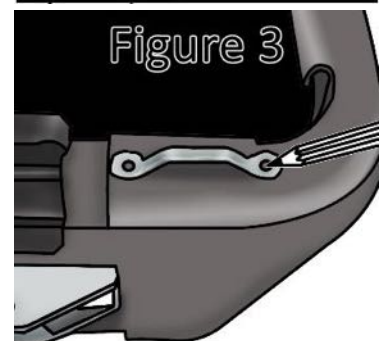
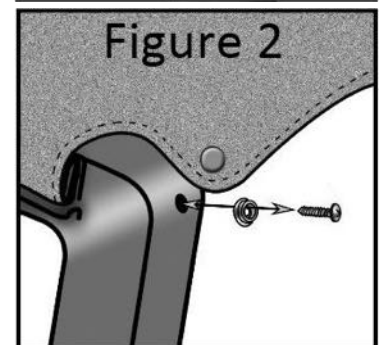
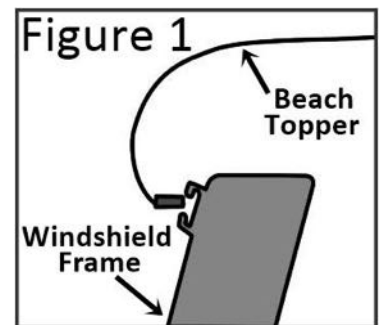
-We recommend installing these skins in temperatures 70F (21C) and above. This will make installation easier and reduce the risk of damaging the fabric. Laying the Beach Topper in the sun is also suggested to ease installation.

-Do not over-stress the straps or fabric. Failure to comply may damage the top or straps.

-A roll bar is required to install the Beach Topper.

-Drilling may be required.

1. Remove the existing top from the vehicle.
2. Hang the Beach Topper over the windshield frame with the sewn in plastic strip facing the front of the Jeep. Insert the Beach Topper into the windshield channel. Keep the top centered in the windshield channel. See **Figure 1**.
3. If your Jeep has snaps installed at the corner of the windshield frame move to **Step 4**. Pull the front corner of the Beach Topper around the corner of the windshield frame and mark the snap location. Drill an 1/8" hole and install an included Snap and Screw. See **Figure 2**. Repeat for the other side.
4. Drape the Beach Topper over the roll bar and pull the straps to the rear corners of the Jeep.
If the Jeep has footman loops installed in the rear corners- Slide the strap through the footman loop and back around to the buckle. Fasten the buckle and pull tight. Repeat for the other side.
If the Jeep DOES NOT have footman loops installed in the rear corners- Using the included footman loop. Select a spot to mount the included Footman Loop. We suggest using the top of the body tub at the corner of the vehicle See **Figure 3**. Make sure the strap runs straight. Set the footman loop in place and mark the locations. Drill 1/8" holes. Put the footman loop in place and secure with the included screws. Slide the strap through the footman loop and back around to the buckle. Fasten the buckle and pull tight. Repeat for the other side.
5. Make any adjustments necessary to ensure the Beach Topper is centered and fits properly. Creases in the fabric will fade away once the top is installed.
6. Small adjustments to the top may be necessary once the top warms up and any creases are smoothed out.



While every attempt is made to ensure that the information contained in these instructions is correct, no liability can be accepted by the authors for loss, damage, or injury caused by any errors in, or omissions from the information given. All service should be performed by qualified mechanics. Crown Automotive Sales Co., Inc. cannot be held responsible for any mechanical work performed. Standard and accepted safety precautions should be used in every procedure.